

- Back**
- o PushPull Power
  - o Flat Cable Connectors SEK
  - o *har-mik®*
  - o D-Sub
  - o InduCom

---

- **Applications**

---

## Product details

---

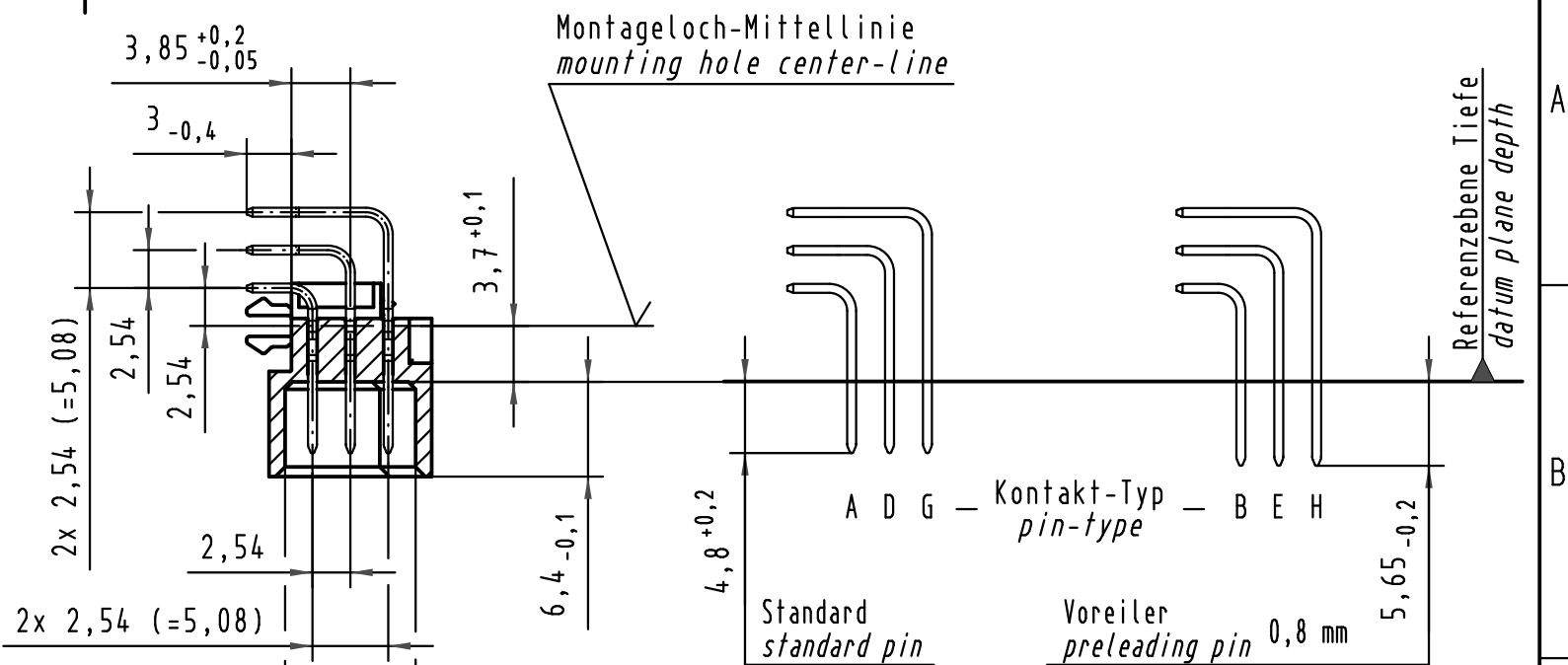
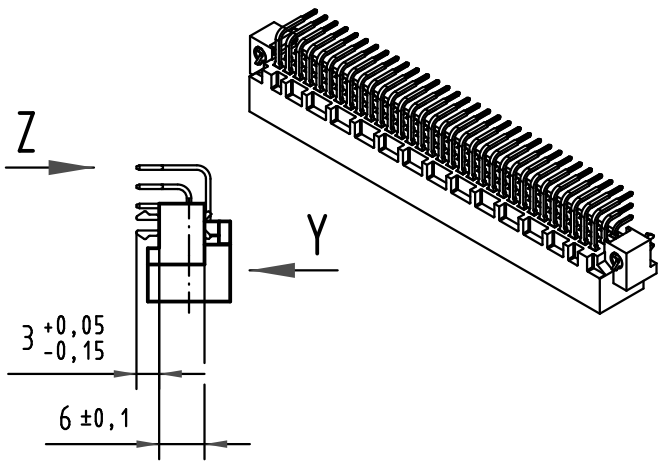
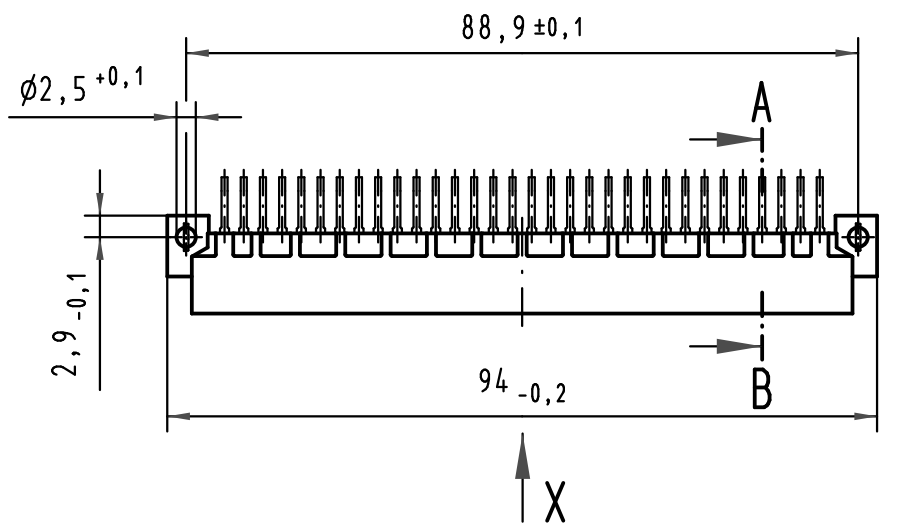
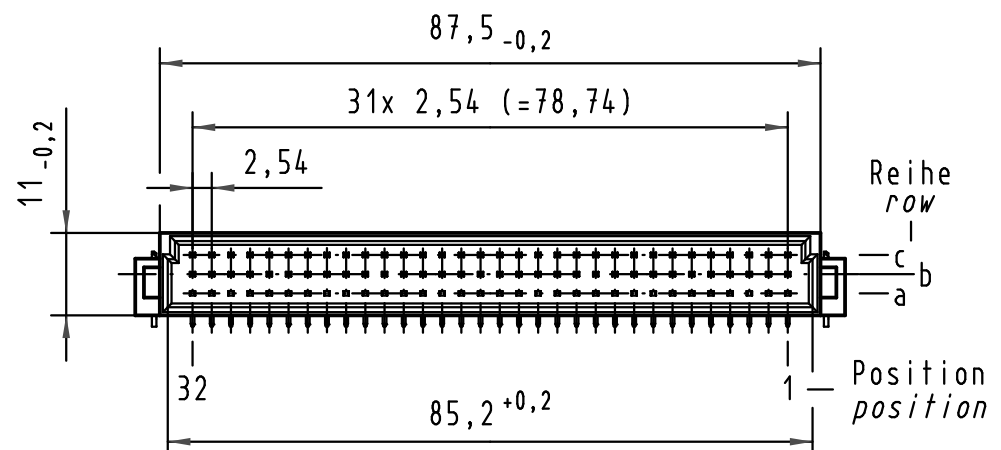
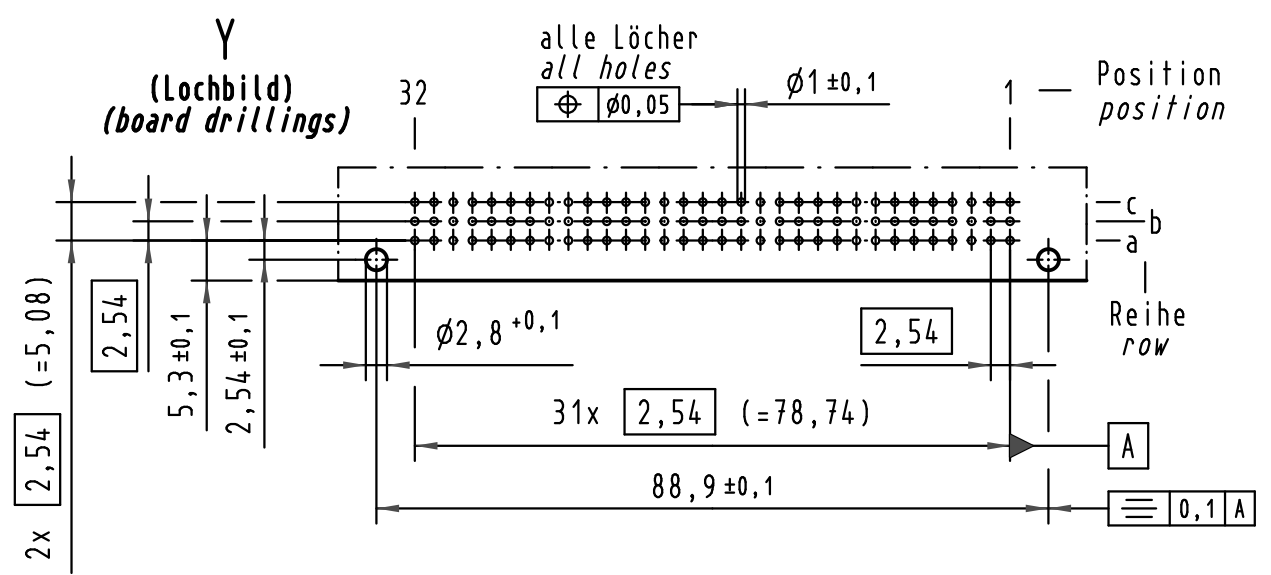
**09 03 396 6919**

### Printed board connector

Type	Type C
Standard/Inverse	Standard
Contact gender	Male contacts
Size	Whole size
Number of contacts	96 poles
Contact arrangement	Rows a, b and c
Termination	SMC termination
Termination length	3.0 mm
First mating contact	without first mating contacts
Performance Class	Performance level 2 as per IEC 60603-2
Contacts	with contacts
Row pitch	2.54 mm
Board fixing	with snap-in-clips
Current	2 A max.
Clearance/ Creepage	1.2 / 1.2 mm min.
RoHS compliant	Yes

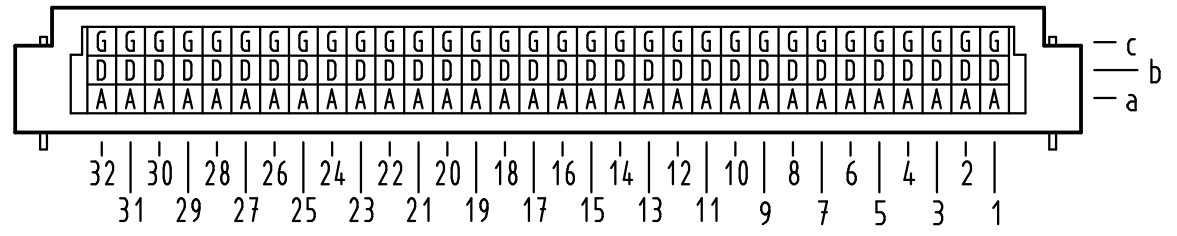
**Inquiry**

Alle Rechte vorbehalten/ All rights reserved



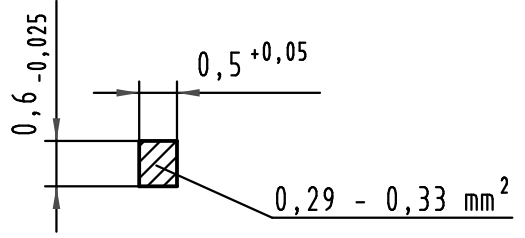
A-B  
2:1

X Kontaktbelegung contact loading



09 03 396 6919	2	Au über/over Ni
09 03 396 2919	1	Au über/over Ni
Bestell-Nr. part-no.	Anforderungsstufe nach IEC performance level acc.to IEC	Kontaktoberfläche contact plating

Z  
10:1  
Querschnitt der Lötanschlüsse:  
cross-section of solder terminations:



All Dimensions in mm Original Size DIN A 3			Techn. Character.			Nicht tolerierte Maße/Free size tolerances IEC 60603-2			
			Dat.	Name	Maßstab/Scale	Bauform C Messerleiste mit Clip Einlöt, 96 pol. SMC (Hochtemperatur) type C male connector with clip solder, 96 pol. SMC (high temperature)			
			Detail.	26.06.00	Rie.	1:1 2:1 10:1	TB 09 03 396 x919		
			Insp.	26.06.00	Be.				
			Stand.						
34650	05.12.07	Hage.	HARTING Electronics GmbH & Co. KG			Sub.	Blatt/page		
30797	25.01.02	Rie.	D-32339 ESPELKAMP						
27482			Mod.	Dat.	Name				